



X-HIDUO 046 D-4

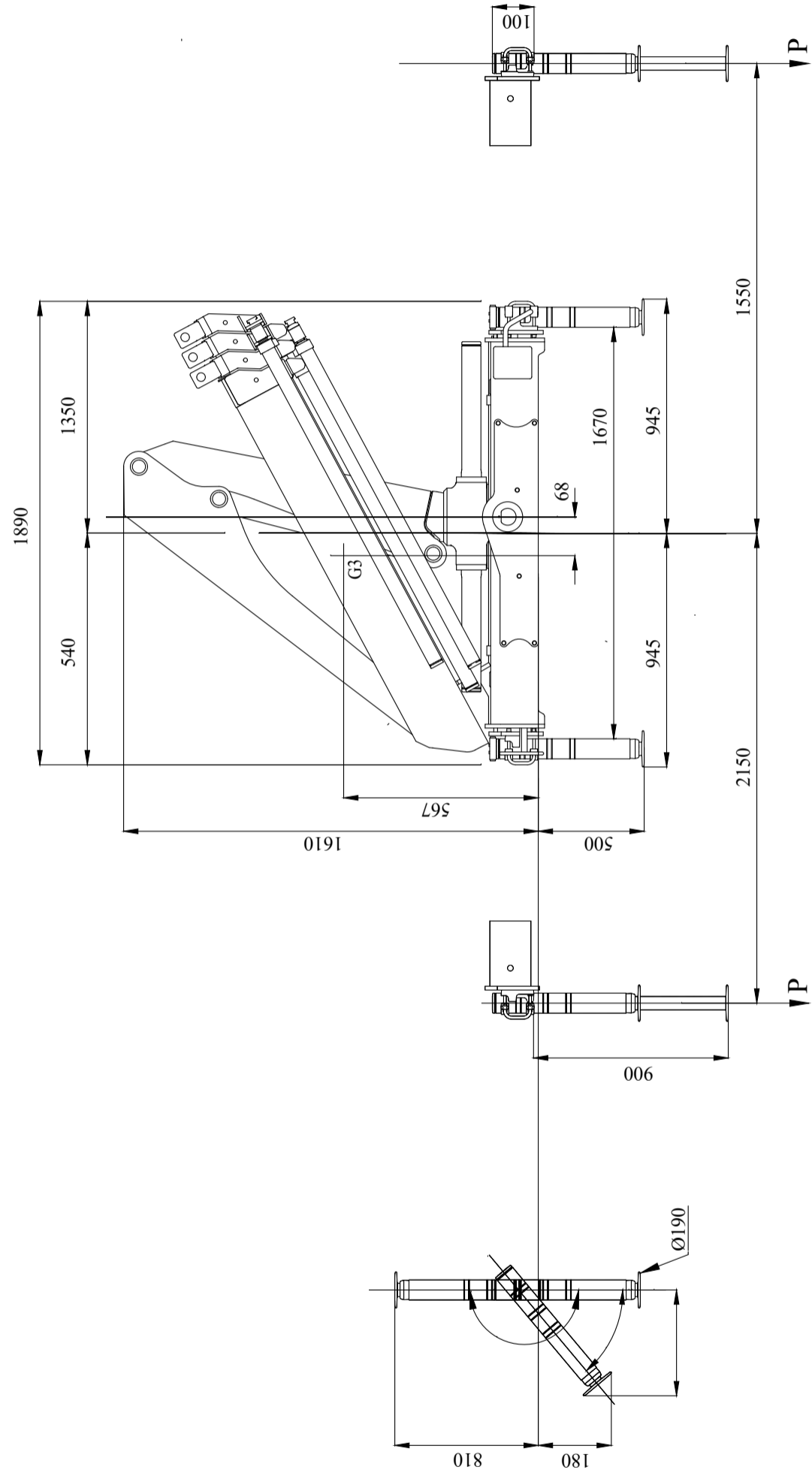
The ideal performance model within the HIAB range of loader crane products. Remote controlled loader crane. CE marked. A non CE version is also available. 4 Tm range capacity loader crane.

The HIAB X-HiDuo 046 is an 'optimal performance' light segment loader crane. HiDuo control system is the best price-performance remote controlled system you can choose, assuring high levels of safety matched to many functions that make any job easy. Take advantage of the many options and functions that support and protect your everyday work and business. The crane's outreach from 4,8m to 9,4m gives you the needed flexibility for carrying out jobs day after day, as a reliable partner. The industry leading two years warranty coverage matched to the three years for steel parts assure a continuous working life of the crane. The special nDurance paint protection finish further contributes to making the crane look and last longer.

Lifting capacity	330 - 1360 kg
Outreach	9 m
Weight	598 kg

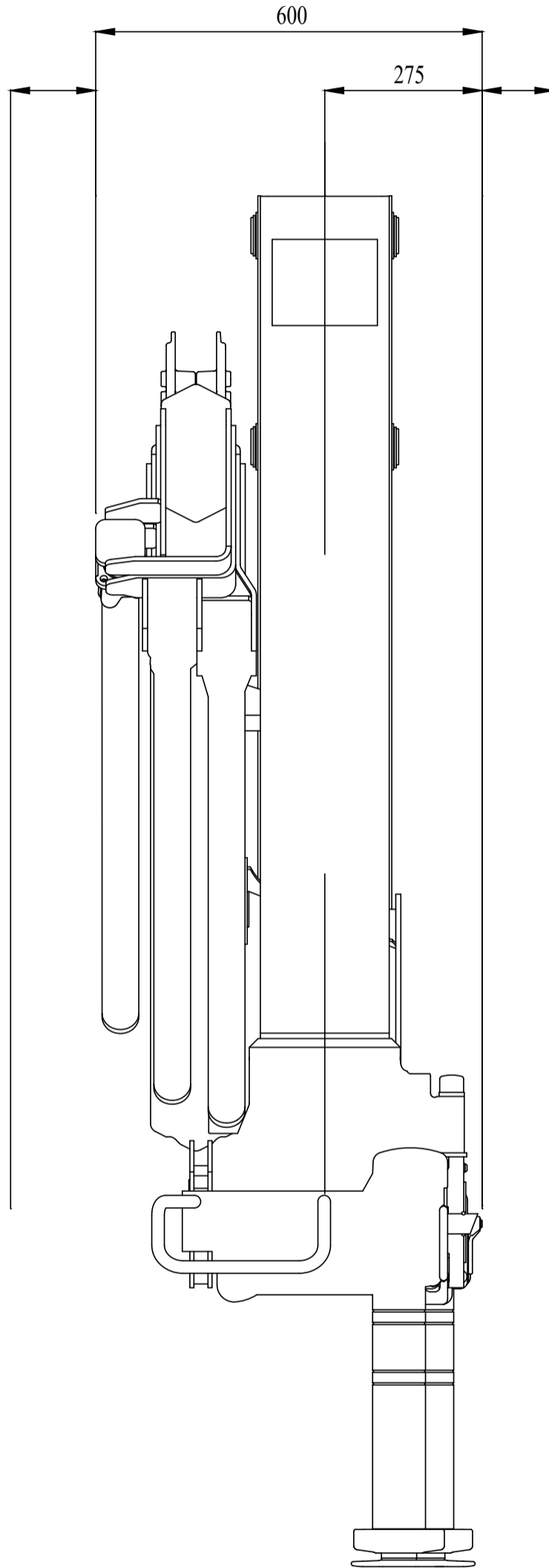
X-HIDUO 046 D-4

Front View Folded (Metric)



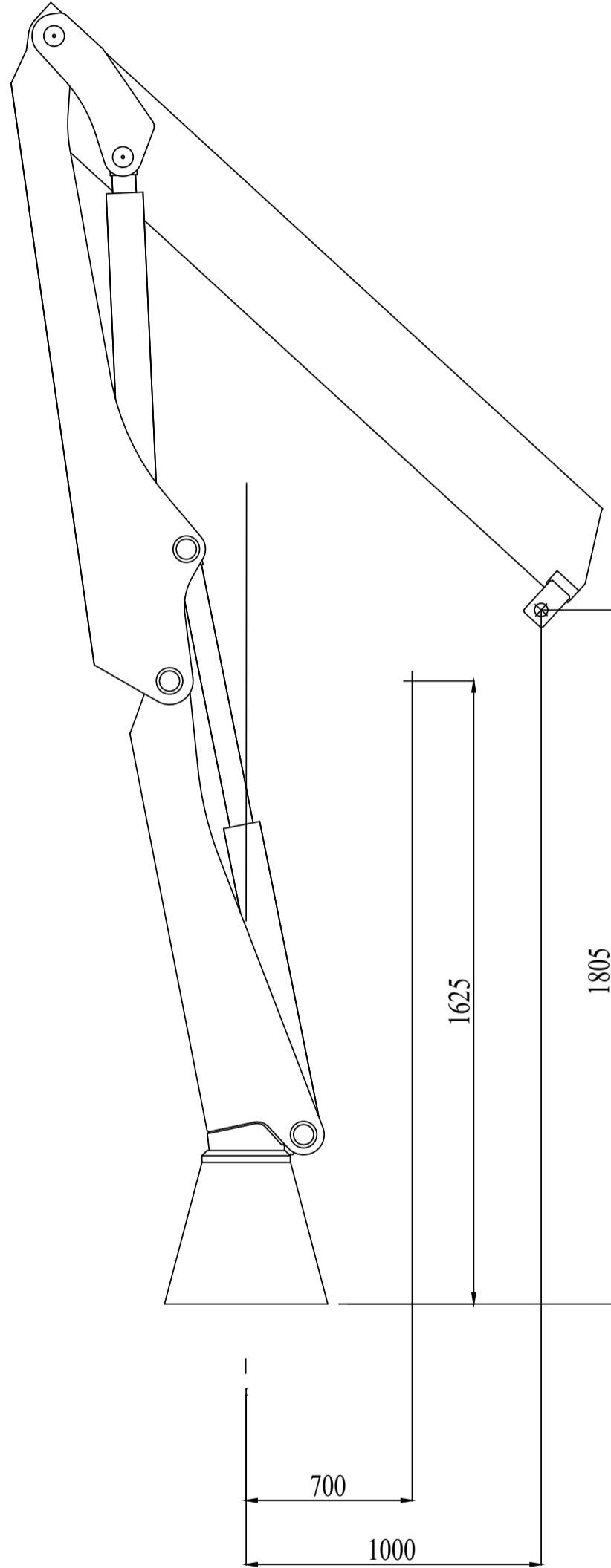
X-HIDUO 046 D-4

Side View Folded (Metric)



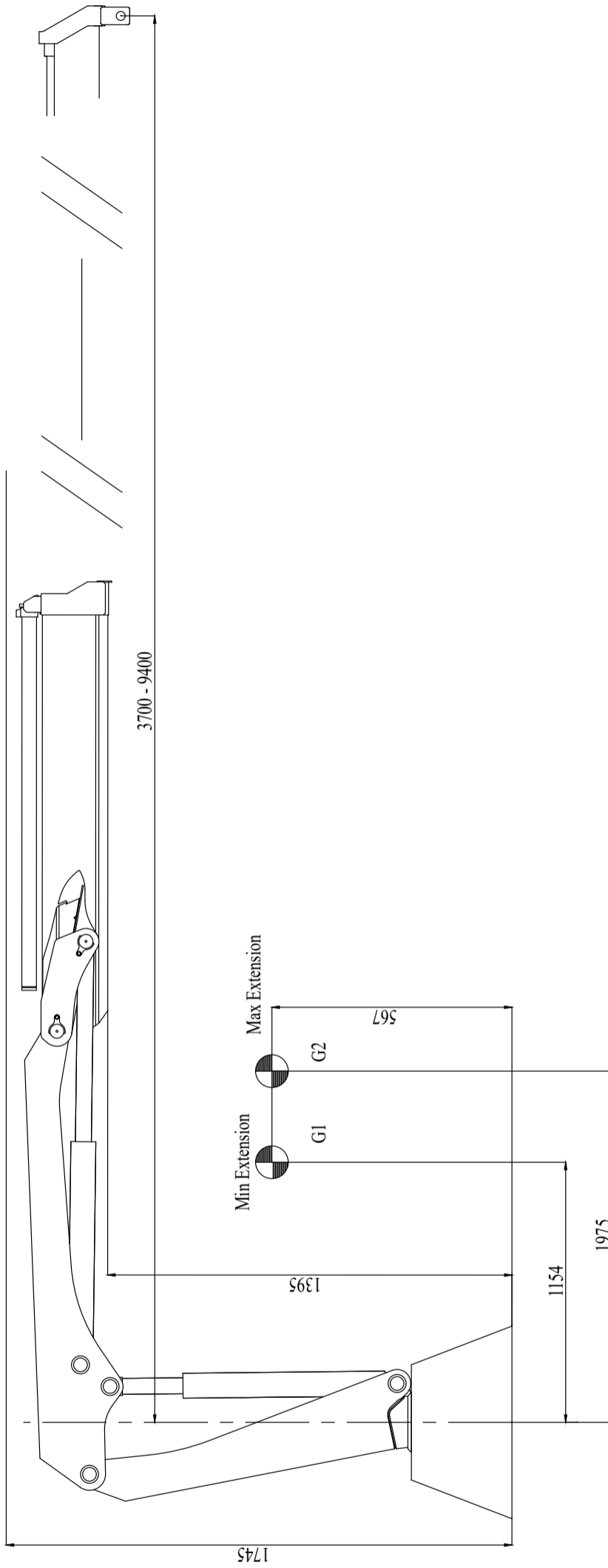
X-HIDUO 046 D-4

Side View Unfolded Close In Area (Metric)



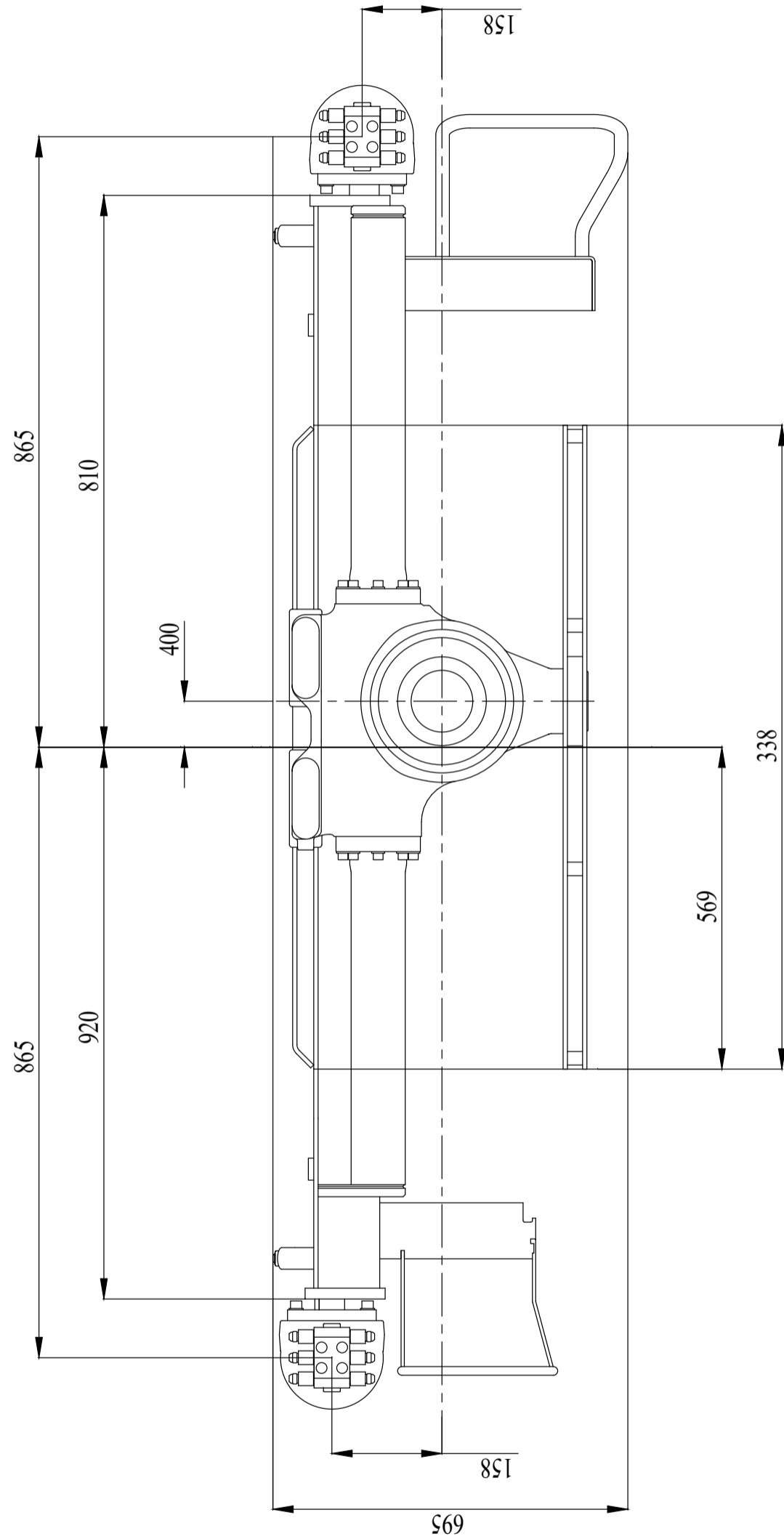
X-HIDUO 046 D-4

Side View Unfolded Stretched (Metric)



X-HIDUO 046 D-4

Top View (Metric)

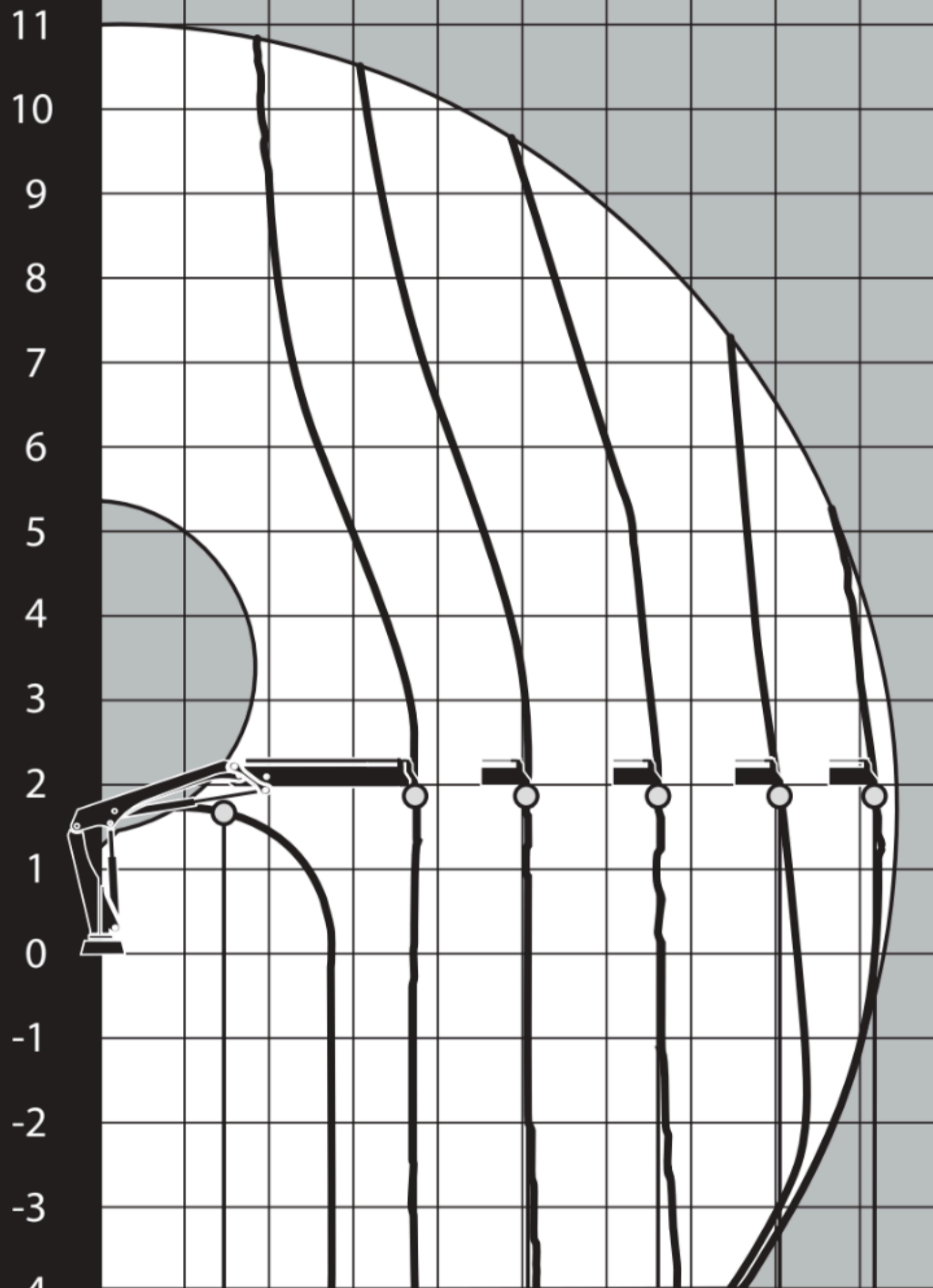




HIAB X-HIDUO 046D-4

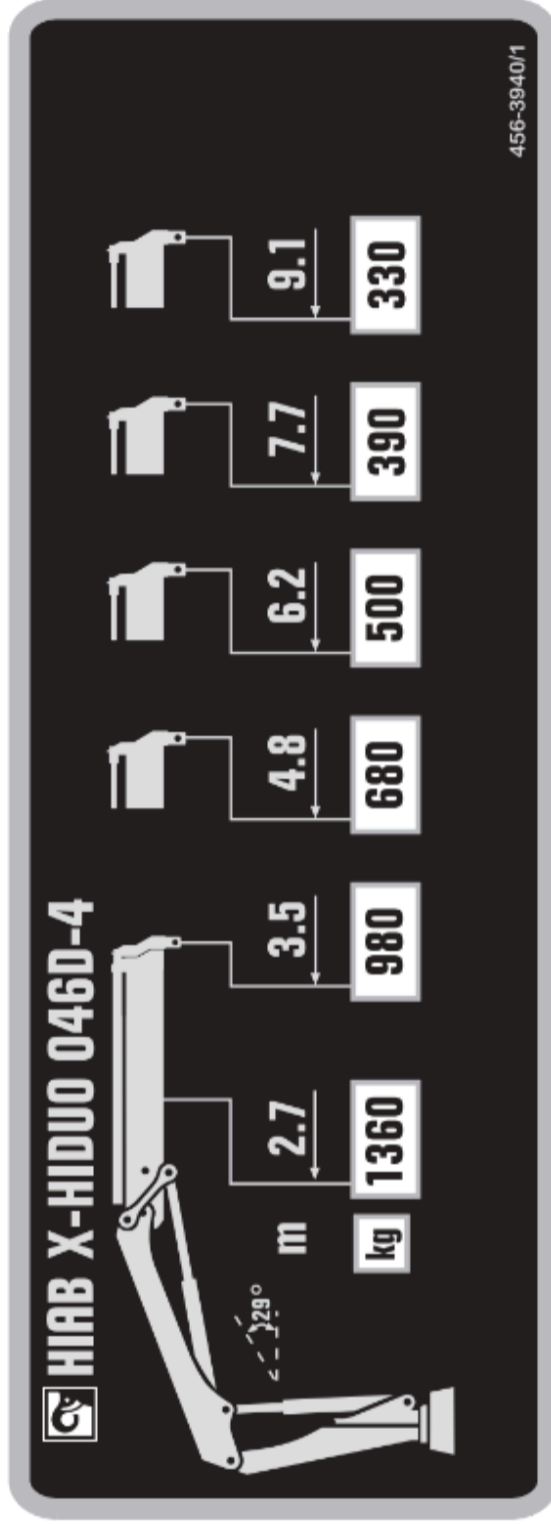
0 1 2 3 4 5 6 7 8 9 10m

12m

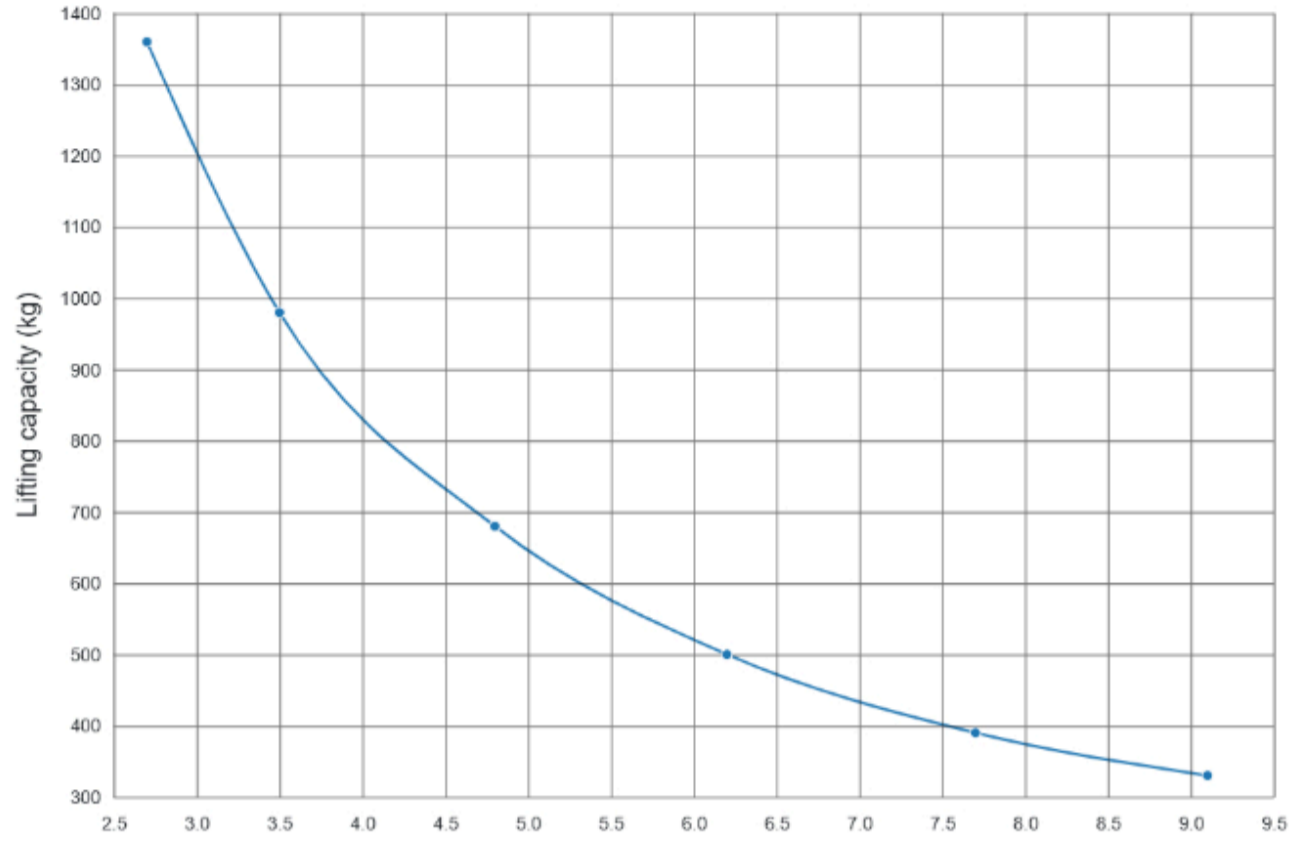


456-3941/1

kg 1360 980 680 500 390 330



X-HIDUO 046 D-4



Outreach

Description	Unit	Value
Standard Outreach 1 (SOR1) - Standard load at std outreach 1 (SLC1)	m - kg	2.7 - 1360
Standard Outreach 2 (SOR2) - Standard load at std outreach 2 (SLC2)	m - kg	3.5 - 980
Standard Outreach 3 (SOR3) - Standard load at std outreach 3 (SLC3)	m - kg	4.8 - 680
Standard Outreach 4 (SOR4) - Standard load at std outreach 4 (SLC4)	m - kg	6.2 - 500
Standard Outreach 5 (SOR5) - Standard load at std outreach 5 (SLC5)	m - kg	7.7 - 390
Standard Outreach 6 (SOR6) - Standard load at std outreach 6 (SLC6)	m - kg	9.1 - 330
HydOut Reach Std (HORS)	m	9.4
Hyd Boom Ext (HBE)	m	5.7

Lifting capacity

Description	Unit	Value
Max Dynamic Moment (Mdyn)	kNm	48.0
Lifting Capacity (LC_kNm)	kNm	36.1
Lifting Capacity (LC_kNm)	tm	3.7
Stress calculation moment (Mstat)	kNm	63.0

Oil and tank

Description	Unit	Value
Rec OilFlow Lo (Flow-Lo) - Rec OilFlow Hi (Flow-Hi)	l/min - l/min	15 - 20
Work Pressure (WP)	MPa	24.0
Oil In Tank (TankVol)	l	65.0
Tank Capacity (TankCap)	l	75.0

Slewing

Description	Unit	Value
Slewing Angle (SlewAng)	°	380
Max slope viable at full capacity (MaxAng)	°	5.0
Slewing Torque (SlewTorq)	kNm	4.8
Slewing Speed (SlewSp)	°/s	15.0
Lift Speed (LiftSp)	m/s	0.8

Dimensions

Description	Unit	Value
Height fold. (3-1)	mm	1610.0
Ref 3-2 width folded- heartcrane frame left (3-3b)	mm	1350.0
Install.space need. (4-1)	mm	600.0

Weights

Description	Unit	Value
Weight of Crane (Weight)	kg	575.0
add weight of frame attachment (add_WHT_FA)	kg	23.0
		Total weight = 598.0 kg